

HYPHERPRO

STEERING DAMPER MOUNTING KIT

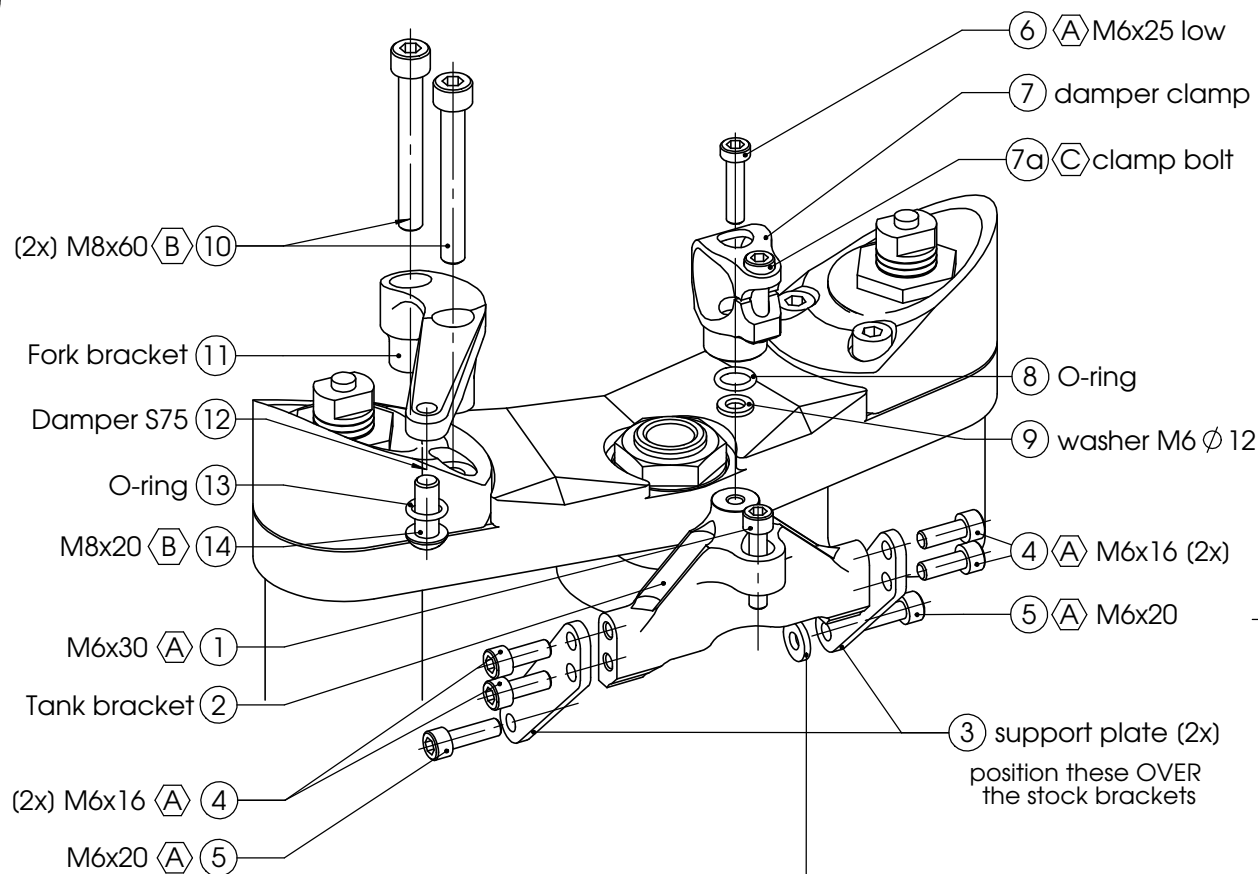
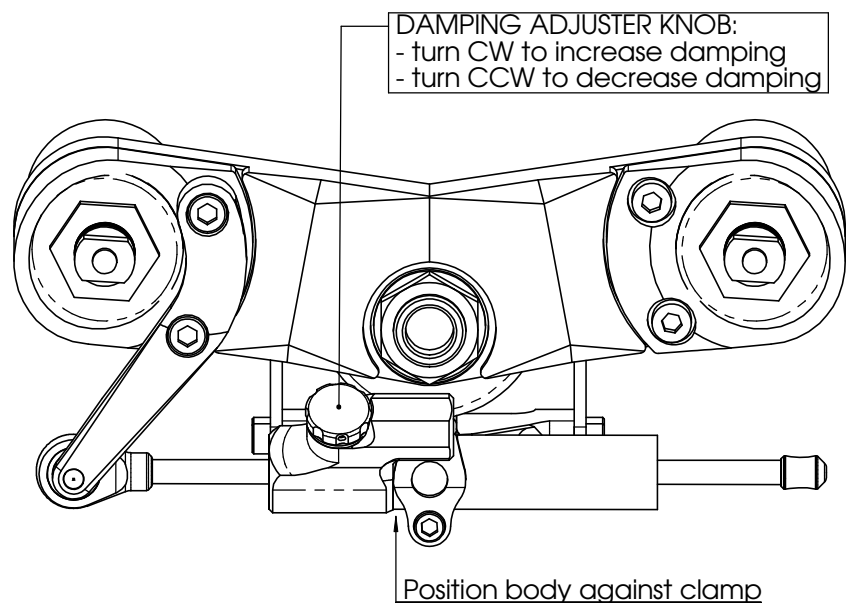
for

**Kawasaki ZZR1400 / ZX-14(R)
Model '06-'11 & 2012>**

MK-KA14-T001 PART LIST

SD stroke 75	1	M6x20	2
Damper clamp (MP-DB0003)	1	M6x30	1
O-Ring	2	M8x20 button head	1
Fork Bracket (MP-FOMK62)	1	M8x60	2
Tank Bracket (MP-TAMK54)	1	Washer M6 ϕ 12	1
Stainless support plate	2	Washer M6 ϕ 14 (alloy)	1
M6x16	4	-	-
M6x25 low head	1	-	-

ALL IDEAS, DESIGNS ARRANGEMENTS AND PLANS INDICATED OR REPRESENTED BY THIS DRAWING ARE OWNED BY HYPERPRO AND WERE CREATED, EVOLVED AND DEVELOPED FOR USE ON AND IN CONNECTION WITH THE SPECIFIC PROJECT. NONE SUCH IDEAS, DESIGNS, ARRANGEMENTS OR PLANS SHALL BE USED BY OR DISCLOSED TO ANY PERSON, FIRM OR CORPORATION FOR ANY PURPOSE WHATSOEVER WITHOUT THE WRITTEN PERMISSION OF HYPERPRO.



washer M6 ϕ 14 (alloy)
**! ONLY FOR NON-ABS MODELS !
(do NOT use if your bike has ABS)**

* TORQUES	
A: 5-9Nm / 44-80Lbs.In / 4.0-6.4Lbs.Ft	D: 8Nm / 70Lbs.In / 5.9Lbs.Ft
B: 14-17Nm / 124-150Lbs.In / 10.3-12.5Lbs.Ft	E: 55Nm / 486Lbs.In / 40Lbs.Ft
C: 6Nm / 53Lbs.In / 4.4Lbs.Ft	F: Factory torque (see owners manual)

HYPERPRO

STEERING DAMPER MOUNTING KIT

for

Kawasaki ZZR1400 / ZX-14(R) Model '06-'11 & 2012>

MK-KA14-T001 INSTALLATION INSTRUCTIONS

In general:

HYPERPRO can not be held responsible in any way for any form of physical, material, financial or other damage arising from use, assembly or overhaul of HYPERPRO products. HYPERPRO reserves the right to make changes without prior notice.

This product is ONLY TO BE INSTALLED BY A PROFESSIONAL MECHANIC.

This product is only to be used for the motorcycle brand, model and year stated specifically on top of the pages of this manual.

DO NOT attempt to install this product on motorcycles from any different brand, model and/or year than stated on the pages of this manual.

DO NOT use this kit for cars, boats, jet-skies, snowmobiles, ATV's, aircraft, hovercrafts or any other vehicle and/or purpose.

HYPERPRO steering dampers are FOR RACE USE ONLY, NOT FOR HIGHWAY USE!

Before installation:

- Please read the entire manual carefully before starting the installation!
- Check if you have all the tools required. Good tools are a must.
- Protect your bike at the most important places in and around the work area (e.g. tank, fairing, frame, etc.), with a blanket, towel or similar.

During installation:

- Check all operations and parts carefully before, during and after performing each step.
- Clean all surfaces that are required for fitting parts together or for applying self adhesives or loctite, thoroughly with contact cleaner or another degreaser, unless otherwise stated.
- Be careful not to damage or scratch any part of your bike.
- ALWAYS work relaxed and concentrated!! It is very easy to damage something or make a mistake.

After installation:

- Check and make sure that there is no contact between any part of the steering damper kit and any part of the motorcycle. The kit should not hit anything. Steering movement should not be limited by the steering damper. If the steering movement is limited, adjust the position of the tube in the clamp until steering movement is normal again. Do not forget to tighten the clamp bolt again!
- ALWAYS check the steering movement and feeling before each ride !
- FIRST RIDES: Start with the damper turned fully open (turn adjuster knob fully counter clockwise). Start adjusting in between rides with steps of MAX. 2 CLICKS (0.25 TURN) EACH TIME, until the damper is working satisfactory for your riding style.
- NEVER USE MAXIMUM SETTING, ALWAYS OPEN AT LEAST 2 CLICKS (0.25 TURN).
- WARNING ! DAMPER HAS AN ACTIVE / SPEEDSENSITIVE DAMPING SYSTEM;
 - Steering with NORMAL MOVEMENT should be FREE !!
 - Steering with FAST MOVEMENT should be CONTROLLED BY DAMPER !!
- HYPERPRO uses a special seal to reduce friction. The seal uses an oil film to work properly. It is normal that some oil can appear on the pistonrod.
- Damper works with oil: DAMPING CAN BE HARDER AT LOWER TEMPERATURES!

Step 1: installing the tank bracket & clamp

Install the tank bracket using:

- Bolt M6x30 (1)
- Tank bracket (2)
- 2x Support plate (3)
- 4x Bolt M6x16 (4)
- 2x Bolt M6x20 (5)
- Bolt M6x25 low head (6)
- Damper clamp Type3 (7)
- O-ring (8)
- Washer M6 ϕ 12 (9)

- NON ABS ONLY: Washer M6 ϕ 14 alloy

Remove the front tank mount bolt and the bracket bolts on the left and right side of the steering head. Prefit the support plates (3) to the tank bracket (2), using the 4 M6x16 bolts (4). Do not fully tighten yet. Fit the assembly to the bike with the plates (3) on top of the original bracket(s) on both sides of the steering head and align the bolt holes to the tank and frame. If your bike is NOT equipped with ABS, use the washer M6 ϕ 14 under the right support plate to compensate thickness! (see picture) Screw the M6x30 bolt (1) in the tank hole, but do not tighten yet. Screw the M6x20 bolts (5) in the steering head. Once all bolts are fitted, check if the bracket is fitted straight and tighten all the bolts evenly to a torque of approx. 7-9Nm/62-80Lbs.In/5.0-6.4Lbs.Ft. Use the M6x25 bolt (6) to fit the clamp (7), O-ring (8) and washer (9) to the tank bracket (1). Make sure that the parts are in the correct order as shown on page 1 and tighten the bolt with a torque of approx. 7-9Nm/62-80Lbs.In/5.0-6.4Lbs.Ft

Step 2: installing the fork bracket

Install the fork bracket using:

- 2x Bolt M8x60 button head (10)
- Fork bracket (11)

Remove the two original M8 bolts of the Left clip-on.

Use the supplied M8x60 bolts (6) to fit the fork bracket (7) to the top yoke. Tighten the bolts with a torque of approx. 14-17Nm/124-150Lbs.In/10.3-12.5Lbs.Ft.

Step 3: installing the steering damper

Install the steering damper using:

- Steering damper, stroke 75 (12)
- O-ring (13)
- Bolt M8x20 button head (14)

Ensure that the clamp bolt (7a) of the tube clamp (7) is pointing backward as shown on page 1. Shove the damper (12), with the knob-end first, through the clamp until the ball joint can be fitted to the fork bracket. Use the O-ring (13) and M8 bolt (14) to fit the ball-joint to the fork bracket and tighten with a torque of approx. 14-17Nm/124-150Lbs.In/10.3-12.5Lbs.Ft. Position the damper body against the clamp as shown on page 1, then tighten the clamp-bolt (7a) with a torque of approx. 6Nm/53Lbs.In/4.4Lbs.Ft.

Check if the damper is level horizontally and aligned to the bike. Check if the damper does not touch anything (e.g. tank) when steering from left to right. Check if the bike can make it's full steering angle from left to right. Refit fork bracket or adjust clamping distance if necessary to improve.