

# HYPHERPRO

## STEERING DAMPER MOUNTING KIT

for

### KAWASAKI ZX-9R NINJA Model 2002 - 2003<

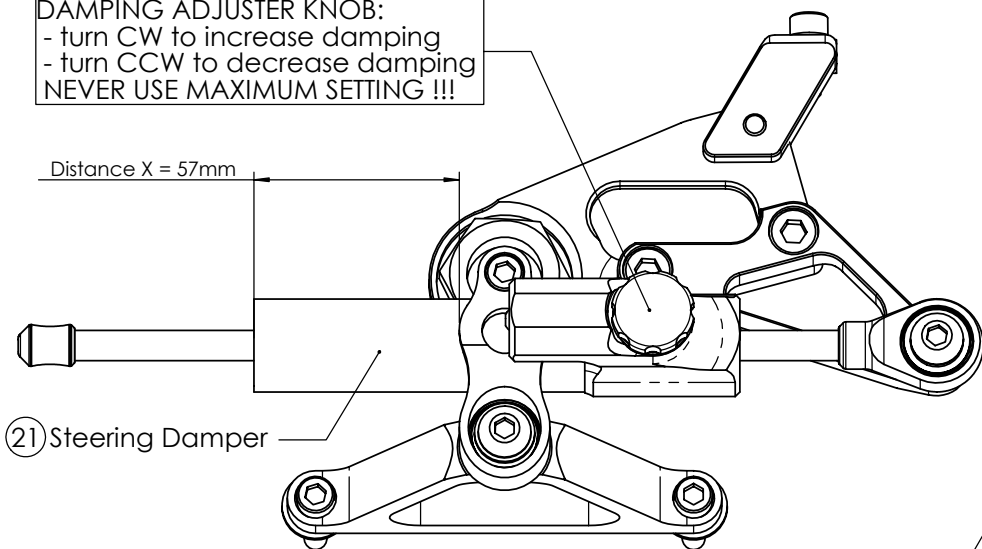
#### MK-KA09-T004 PART LIST

SD stroke 75	1	M6x16	1
Tube Clamp TYPE 1	1	M6x40	2
O-Ring	2	M8x12	2
Fork Bracket Pt.1	1	M8x30 Button head	2
Fork Bracket Pt.2	1	Washer M6Ø12	1
Fork Bracket Pt.3	1	Washer M8Ø16	4
Tank Bracket	1	Thin nut M8	1
Spacer Type 1	1	-	-
M6x10 Countersunk	1	-	-

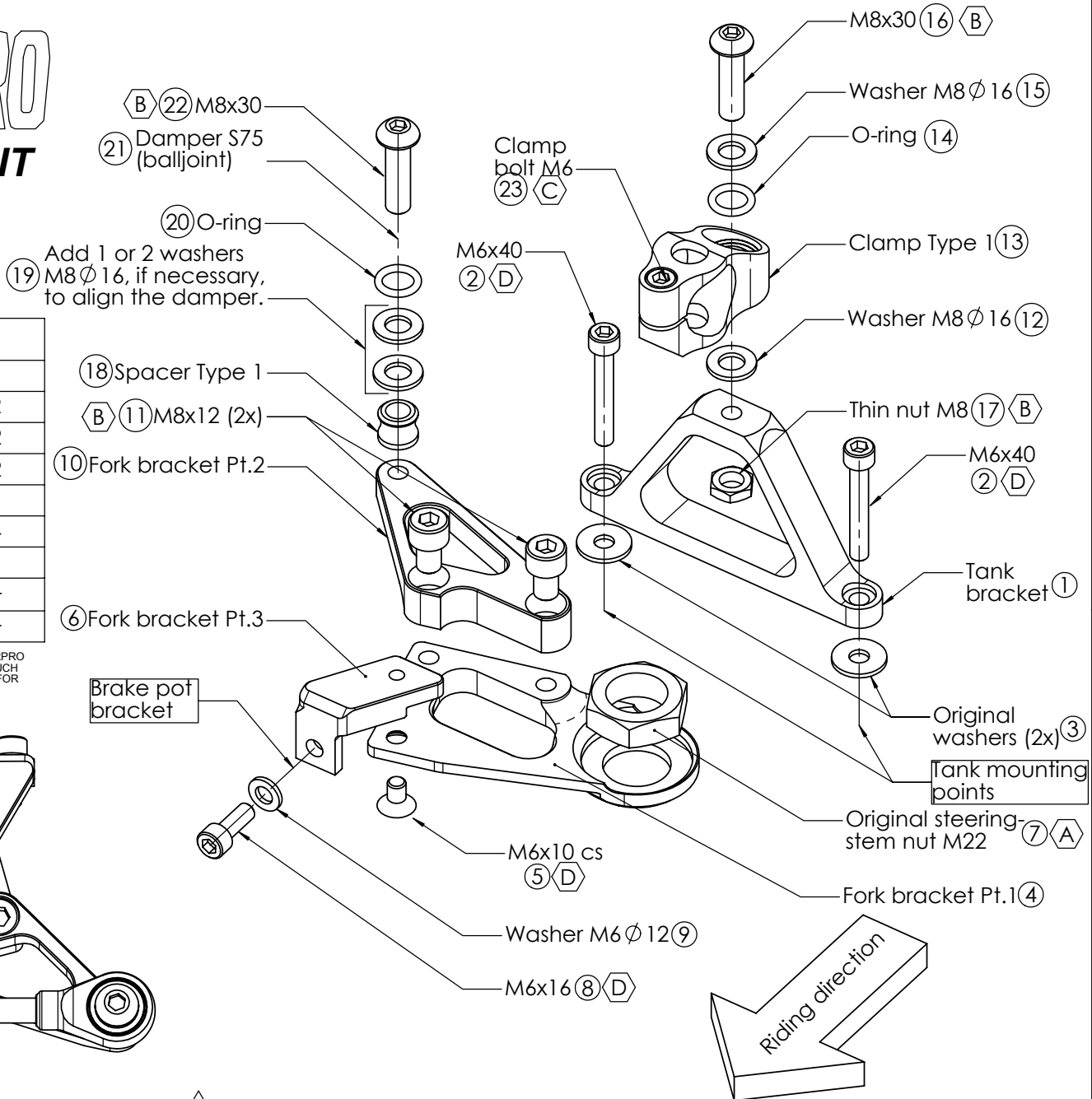
ALL IDEAS, DESIGNS ARRANGEMENTS AND PLANS INDICATED OR REPRESENTED BY THIS DRAWING ARE OWNED BY HYPERPRO AND WERE CREATED, EVOLVED AND DEVELOPED FOR USE ON AND IN CONNECTION WITH THE SPECIFIC PROJECT. NONE SUCH IDEAS, DESIGNS, ARRANGEMENTS OR PLANS SHALL BE USED BY OR DISCLOSED TO ANY PERSON, FIRM OR CORPORATION FOR ANY PURPOSE WHATSOEVER WITHOUT THE WRITTEN PERMISSION OF HYPERPRO.

**DAMPING ADJUSTER KNOB:**  
- turn CW to increase damping  
- turn CCW to decrease damping  
**NEVER USE MAXIMUM SETTING !!!**

Distance X = 57mm



② Steering Damper



1  
of 2

- |   |                                       |
|---|---------------------------------------|
| Ⓐ 55-75Nm / 486-663Lbs.In / 40-55Lbs.Ft     | Ⓒ 6Nm / 53Lbs.In / 4.4Lbs.Ft          |
| Ⓑ 14-17Nm / 124-150Lbs.In / 10.3-12.5Lbs.Ft | Ⓓ 5-9Nm / 44-80Lbs.In / 4.0-6.4Lbs.Ft |

# HYPERPRO

## STEERING DAMPER MOUNTING KIT

for

### KAWASAKI ZX-9R NINJA Model 2002 - 2003<

#### MK-KA09-T004 INSTALLATION INSTRUCTIONS

##### **In general:**

HYPERPRO can not be held responsible in any way for any form of physical, material, financial or other damage arising from use, assembly or overhaul of HYPERPRO products. HYPERPRO reserves the right to make changes without prior notice.

This product is ONLY TO BE INSTALLED BY A PROFESSIONAL MECHANIC.

This product is only to be used for the motorcycle brand, model and year stated specifically on top of the pages of this manual.

DO NOT attempt to install this product on motorcycles from any different brand, model and/or year than stated on the pages of this manual.

DO NOT use this kit for cars, boats, jet-skies, snowmobiles, ATV's, aircraft, hovercrafts or any other vehicle and/or purpose.

HYPERPRO steering dampers are FOR RACE USE ONLY, NOT FOR HIGHWAY USE!

##### **Before installation:**

- Please read the entire manual carefully before starting the installation!
- Check if you have all the tools required. Good tools are a must.
- Protect your bike at the most important places in and around the work area (e.g. tank, fairing, frame, etc.), with a blanket, towel or similar.

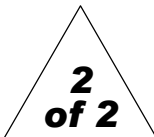
##### **During installation:**

- Check all operations and parts carefully before, during and after performing each step.
- Clean all surfaces that are required for fitting parts together or for applying self adhesives or loctite, thoroughly with contact cleaner or another degreaser, unless otherwise stated.
- Be careful not to damage or scratch any part of your bike.
- ALWAYS work relaxed and concentrated!! It is very easy to damage something or make a mistake.

##### **After installation:**

- Check and make sure that there is no contact between any part of the steering damper kit and any part of the motorcycle. The kit should not hit anything. Steering movement should not be limited by the steering damper. If the steering movement is limited, adjust the position of the tube in the clamp until steering movement is normal again. Do not forget to tighten the clamp bolt again!
- ALWAYS check the steering movement and feeling before each ride !
- FIRST RIDES: Start with the damper turned fully open (turn adjuster knob fully counter clockwise). Start adjusting in between rides with steps of MAX. 2 CLICKS (0.25 TURN) EACH TIME, until the damper is working satisfactory for your riding style.
- NEVER USE MAXIMUM SETTING, ALWAYS OPEN AT LEAST 2 CLICKS (0.25 TURN).

- WARNING ! DAMPER HAS AN ACTIVE / SPEEDSENSITIVE DAMPING SYSTEM;
  - Steering with NORMAL MOVEMENT should be FREE !!
  - Steering with FAST MOVEMENT should be CONTROLLED BY DAMPER !!
- HYPERPRO uses a special seal to reduce friction. The seal uses an oil film to work properly. It is normal that some oil can appear on the pistonrod.
- Damper works with oil: DAMPING CAN BE HARDER AT LOWER TEMPERATURES!



##### **Step 1: installing the tank bracket**

- Tank bracket (1)
- 2x Bolt M6x40 (2)

Remove the 2 standard M6 bolts and washers from the front tank mounting points. Install the tank bracket (1), using the 2 supplied M6x40 bolts (2), place the standard M6 washers (3) UNDERNEATH the bracket for support as shown in the picture on page 1. Tighten the bolts with a torque of approx. 5-9Nm/44-80Lbs.In/4.0-6.4Lbs.Ft

##### **Step 2: installing the fork bracket**

- Fork bracket Part 1 (4)
- Bolt M6x10 countersunk (5)
- Fork bracket Part 3 (6)
- Bolt M6x16 (8)
- Washer M6 Ø12 (9)
- Fork bracket Part 2 (10)
- 2x Bolt M8x12 (11)

Pre-assemble the fork bracket part1 (4) & part3 (6), using the M6x10 countersunk bolt (5). Tighten the bolt with a torque of approx. 5-9Nm/44-80Lbs.In/4.0-6.4Lbs.Ft.

Remove the steering stem nut (7) and the brakepot bracket's M6 bolt from the top yoke. Place the fork bracket over the steering stem. Place the M22 nut back over the steering stem, DO NOT TIGHTEN YET. Position the bracket correct on the triple tree and place the brakepot bracket in its original place, IN FRONT OF the fork-bracket. Use the M6 bolt (8) and washer (9) to tighten the bracket with a torque of approx. 5-9Nm/44-80Lbs.In/4.0-6.4Lbs.Ft. Tighten the steering stem nut with a torque of approx. 55-75Nm/486-663Lbs.In/40-55Lbs.Ft. Place the fork bracket part2 (10) on part1 and use the 2 supplied M8x12 bolts (11) to tighten with a torque of approx. 14-17Nm/124-150Lbs.In/10.3-12.5Lbs.Ft.

##### **Step 3: installing the damper clamp**

- 2x Washer M8 Ø16 (12 & 15)
- Clamp type 1 (13)
- O-ring (14)
- Bolt M8x60 (16)
- Thin nut M8 (17)

Assemble all parts as shown on the picture on page 1. Tighten the M8x30 bolt (16) with a torque of approx. 14-17Nm/124-150Lbs.In/10.3-12.5Lbs.Ft.

Place the thin nut (17) on the bottom of the bolt (sticking out) and tighten with a torque of approx. 14-17Nm/124-150Lbs.In/10.3-12.5Lbs.Ft.

##### **Step 4: installing the steering damper**

- Spacer type 1 (18)
- 1 or 2x Washer M8 Ø16 (19)
- 1x O-ring (20)
- Steering damper (21)
- Bolt M8x30 button head (22)

Ensure that the clamp bolt of the Tube clamp is pointing forward. Shove the damper (21), with the end knob-side first, through the clamp until the ball joint can be fitted to the fork bracket. Use parts (18), (19), (20) and M8 bolt (22) to fixate the balljoint to the fork bracket and tighten with a torque of approx. 14-17Nm/124-150Lbs.In/10.3-12.5Lbs.Ft. Position the damper tube until the distance "X" (=57mm) stated on page 1 is reached, then tighten the M6 clamp bolt (23) with a torque of approx. 6Nm/53Lbs.In/4.4Lbs.Ft.

Check if the damper is level horizontally and aligned to the bike.  
Check CAREFULLY if the damper does not touch anything (e.g. tank) when steering from left to right.  
Check if the bike can make it's full steering angle from left to right.