

# HYPHERPRO

## STEERING DAMPER MOUNTING KIT

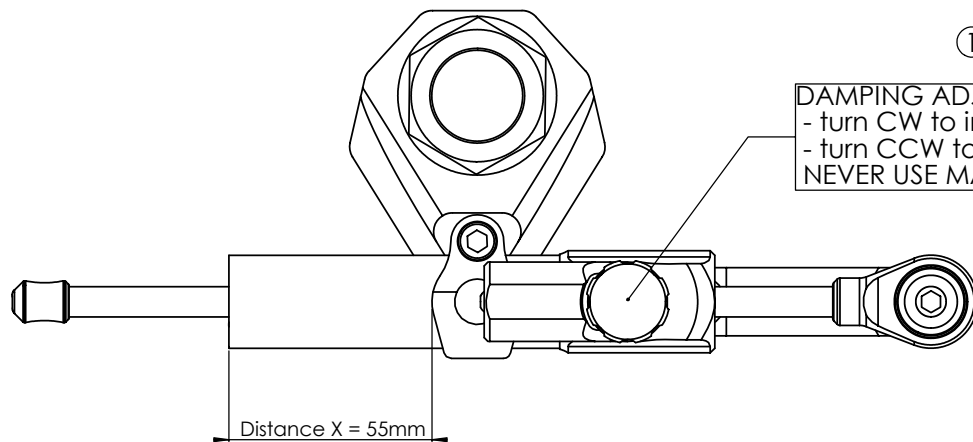
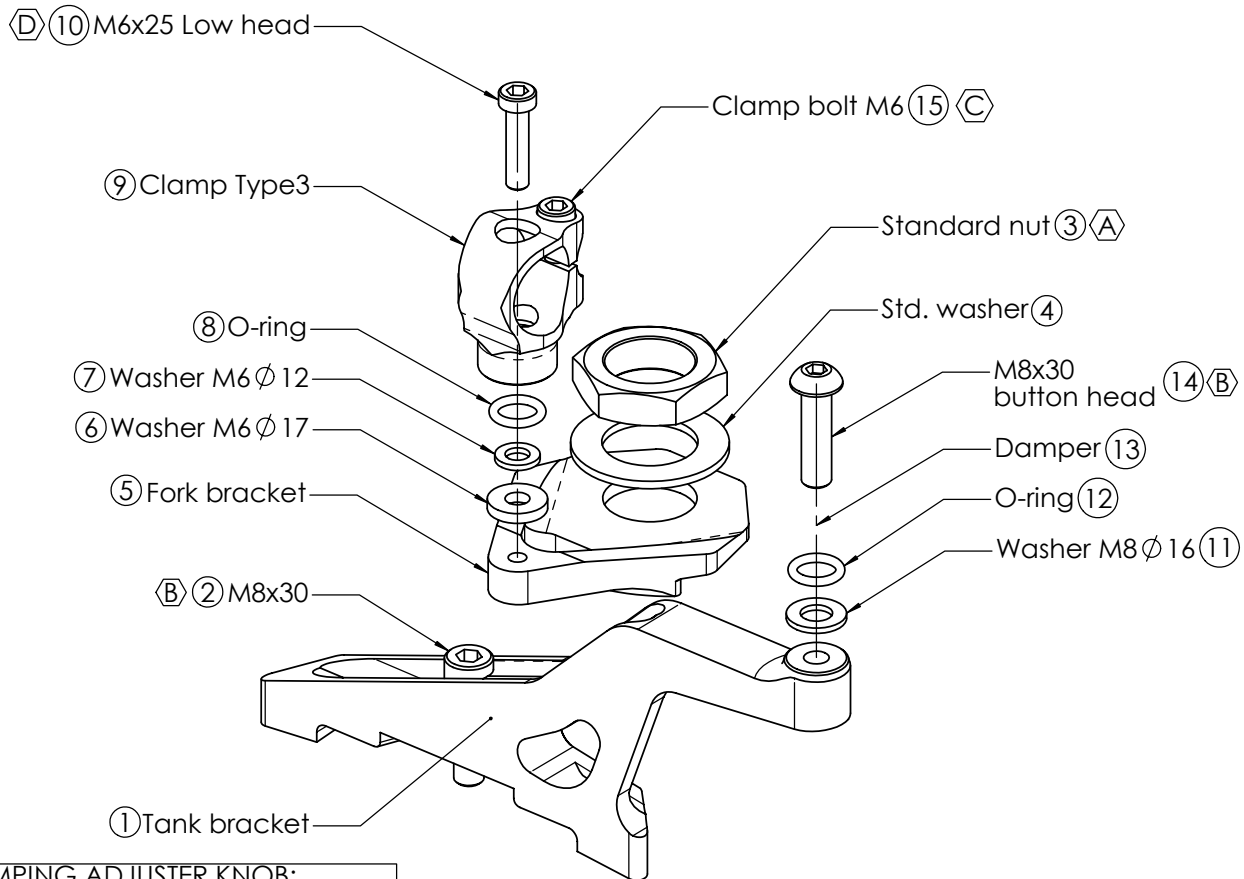
for

### KAWASAKI ZX-636R, ZX-6RR Model 2003 - 2004<

#### MK-KA06-T004 PART LIST

|                   |   |                     |   |
|-------------------|---|---------------------|---|
| SD stroke 75      | 1 | Washer M6 $\phi$ 12 | 1 |
| Tube Clamp TYPE 3 | 1 | Washer M6 $\phi$ 17 | 1 |
| O-Ring            | 2 | Washer M8 $\phi$ 16 | 1 |
| CNC Fork Bracket  | 1 | -                   | - |
| CNC Tank Bracket  | 1 | -                   | - |
| M6x25 Low head    | 1 | -                   | - |
| M8x30             | 1 | -                   | - |
| M8x30 Button head | 1 | -                   | - |

ALL IDEAS, DESIGNS ARRANGEMENTS AND PLANS INDICATED OR REPRESENTED BY THIS DRAWING ARE OWNED BY HYPHERPRO AND WERE CREATED, EVOLVED AND DEVELOPED FOR USE ON AND IN CONNECTION WITH THE SPECIFIC PROJECT. NONE SUCH IDEAS, DESIGNS, ARRANGEMENTS OR PLANS SHALL BE USED BY OR DISCLOSED TO ANY PERSON, FIRM OR CORPORATION FOR ANY PURPOSE WHATSOEVER WITHOUT THE WRITTEN PERMISSION OF HYPHERPRO.



**DAMPING ADJUSTER KNOB:**  
 - turn CW to increase damping  
 - turn CCW to decrease damping  
 NEVER USE MAXIMUM SETTING !!!

**1  
of 2**

|   |   |
|---|---|
| (A) Factory torque!<br>(or approx. 55-75Nm/486-663Lbs.In/40-55Lbs.Ft) | (C) 6Nm / 53Lbs.In / 4.4Lbs.Ft          |
| (B) 14-17Nm / 124-150Lbs.In / 10.3-12.5Lbs.Ft                         | (D) 5-9Nm / 44-80Lbs.In / 4.0-6.4Lbs.Ft |

See [WWW.HYPHERPRO.COM](http://WWW.HYPHERPRO.COM) for the latest pictures, modifications, specs. and e-drawings of this steering damper kit.

# HYPERPRO

## STEERING DAMPER MOUNTING KIT

for

### KAWASAKI ZX-636R, ZX-6RR Model 2003 - 2004<

#### MK-KA06-T004 INSTALLATION INSTRUCTIONS

#### In general:

HYPERPRO can not be held responsible in any way for any form of physical, material, financial or other damage arising from use, assembly or overhaul of HYPERPRO products. HYPERPRO reserves the right to make changes without prior notice.

This product is ONLY TO BE INSTALLED BY A PROFESSIONAL MECHANIC.

This product is only to be used for the motorcycle brand, model and year stated specifically on top of the pages of this manual.

DO NOT attempt to install this product on motorcycles from any different brand, model and/or year than stated on the pages of this manual.

DO NOT use this kit for cars, boats, jet-skis, snowmobiles, ATV's, aircraft, hovercrafts or any other vehicle and/or purpose.

HYPERPRO steering dampers are FOR RACE USE ONLY, NOT FOR HIGHWAY USE!

#### Before installation:

- Please read the entire manual carefully before starting the installation!
- Check if you have all the tools required. Good tools are a must.
- Protect your bike at the most important places in and around the work area (e.g. tank, fairing, frame, etc.), with a blanket, towel or similar.

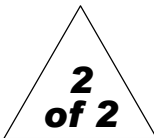
#### During installation:

- Check all operations and parts carefully before, during and after performing each step.
- Clean all surfaces that are required for fitting parts together or for applying self adhesives or loctite, thoroughly with contact cleaner or another degreaser, unless otherwise stated.
- Be careful not to damage or scratch any part of your bike.
- ALWAYS work relaxed and concentrated!! It is very easy to damage something or make a mistake.

#### After installation:

- Check and make sure that there is no contact between any part of the steering damper kit and any part of the motorcycle. The kit should not hit anything. Steering movement should not be limited by the steering damper. If the steering movement is limited, adjust the position of the tube in the clamp until steering movement is normal again. Do not forget to tighten the clamp bolt again!
- ALWAYS check the steering movement and feeling before each ride!
- FIRST RIDES: Start with the damper turned fully open (turn adjuster knob fully counter clockwise). Start adjusting in between rides with steps of MAX. 2 CLICKS (0.25 TURN) EACH TIME, until the damper is working satisfactory for your riding style.
- NEVER USE MAXIMUM SETTING, ALWAYS OPEN AT LEAST 2 CLICKS (0.25 TURN).

- WARNING ! DAMPER HAS AN ACTIVE / SPEEDSENSITIVE DAMPING SYSTEM;
  - Steering with NORMAL MOVEMENT should be FREE !!
  - Steering with FAST MOVEMENT should be CONTROLLED BY DAMPER !!
- HYPERPRO uses a special seal to reduce friction. The seal uses an oil film to work properly. It is normal that some oil can appear on the pistonrod.
- Damper works with oil: DAMPING CAN BE HARDER AT LOWER TEMPERATURES!



#### Step 1: installing the tank bracket

- Tank bracket (1)
- Bolt M8x30 (2)

Remove the standard M8 bolt from the front tank mounting point.

Install the tank bracket(1), using the supplied M8x30 bolt(2) as shown on page 1. Tighten the bolt with a torque of approx. 14-17Nm/124-150Lbs.In/10.3-12.5Lbs.Ft.

#### Step 2: fork bracket pre-assembly

- Fork bracket (5)
- Washer M6  $\phi$  17 (6)
- Washer M6  $\phi$  12 (7)
- 1x O-Ring (8)
- TubeClamp TYPE 3 (9)
- Bolt M6x25 Low head (10)

Put the assembly together as shown on page 1: Take the fork bracket (5), place the washers (6+7), the O-ring (8) and the tube clamp (9) inline on top of the M6 hole and put the M6 bolt (10) through all the parts and screw it into the thread of the bracket. Tighten the bolt with a torque of approx. 5-9Nm/44-80Lbs.In/4.0-6.4Lbs.Ft.

#### Step 3: installing the fork bracket

- Fork bracket pre-assembly

Loosen and remove the steering stem nut (3), using a 36mm key. Remove standard washer (4). Place the assembly over the thread, allocating the bracket (5) over the edge of the top yoke. Replace the washer+nut on top of the forkclamp and tighten carefully with factory torque (or approx. 55-75Nm/486-663Lbs.In/40-55Lbs.Ft.)

#### Step 4: installing the steering damper

- Steering damper (13)
- Washer M8  $\phi$  16 (11)
- 1x O-ring (12)
- Bolt M8x30 button head (14)

Ensure that the clamp bolt of the Tube clamp is pointing forward. Shove the damper (13), with the end knob-side first, through the clamp until the ball joint can be fitted to the tank bracket. Use the washer(11), O-ring (12) and M8 bolt (14) to fixate the balljoint to the tank bracket and tighten with a torque of approx. 14-17Nm/124-150Lbs.In/10.3-12.5Lbs.Ft. Position the damper tube until the distance "X" (=55mm) stated on page 1 is reached, then tighten the M6 clamp bolt (15) with a torque of approx. 6Nm/53Lbs.In/4.4Lbs.Ft.

Check if the damper is level horizontally and aligned to the bike. Check if the damper does not touch anything (e.g. tank) when steering from left to right. Check if the bike can make it's full steering angle from left to right.

See [WWW.HYPERPRO.COM](http://WWW.HYPERPRO.COM) for the latest pictures, modifications, specs. and e-drawings of this steering damper kit.