

HYPERPRO

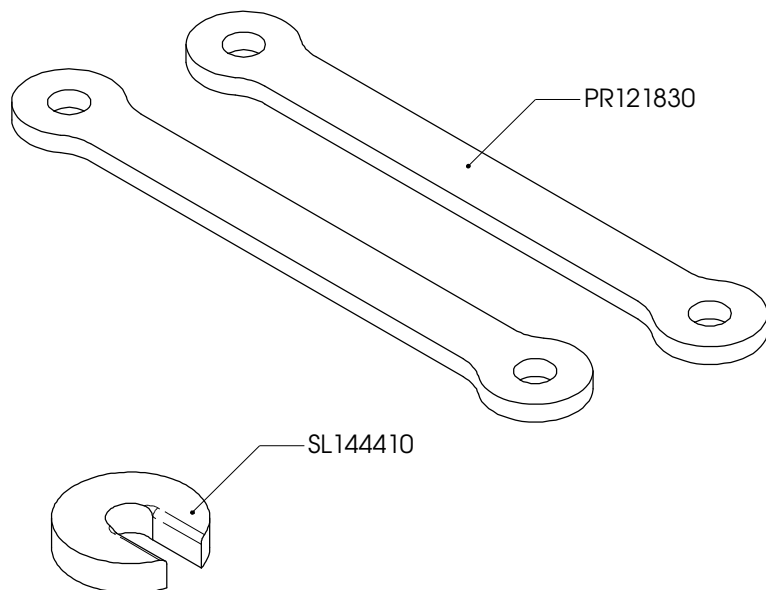
LOWERING KIT / VERLAGINGSSET for

YAMAHA YZF 750 R (4HN) Models '93-'98<

LK-YA07-001-35 PART LIST

PR121830 - Pull rod/ trekstang	2
SL144410 - Stroke limiter / slagbeperker	1
-	-
-	-

ALL IDEAS, DESIGNS, ARRANGEMENTS AND PLANS INDICATED OR REPRESENTED BY THIS DRAWING ARE OWNED BY HYPERPRO AND WERE CREATED, EVOLVED AND DEVELOPED FOR USE ON AND IN CONNECTION WITH THE SPECIFIC PROJECT. NONE SUCH IDEAS, DESIGNS, ARRANGEMENTS OR PLANS SHALL BE USED BY OR DISCLOSED TO ANY PERSON, FIRM OR CORPORATION FOR ANY PURPOSE WHATSOEVER WITHOUT THE WRITTEN PERMISSION OF HYPERPRO.



Inbouw handleiding

Alvorens te beginnen controleren of de hart-op-hart lengte van de standaard trekstangen 172mm is. (Als dit 182mm is moet LK-YA07-003-35 gebruikt worden!)

VOORZIJDJE

De vorkpoten maximaal 13 mm door de bovenste kroonplaat heen steken. De veer-voorspanning minimaal zetten (tegen de klok in draaien). Eventueel luchtkamer reduceren als de vork wil doorslaan.

ACHTERZIJDJE

De bestaande trekstangen vervangen door de HYPERPRO trekstangen. De slagbeperker onder het aanslagrubber van de achterschokbreker plaatsen. Het achterwiel eerst belasten voordat alles vastgezet word.

LET OP! DE LENGTE VAN DE ZIJSTANDAARD MOET ± 20 mm INGEKORT WORDEN. AFTERMARKET ACHTERSPATBORDEN KUNNEN NIET MEER WORDEN TOEGEPAST.

Instruction manual

Before installation, measure the center to center length of the original pull rods, they should be 172mm. (If they are 182mm, LK-YA07-003-35 must be used!)

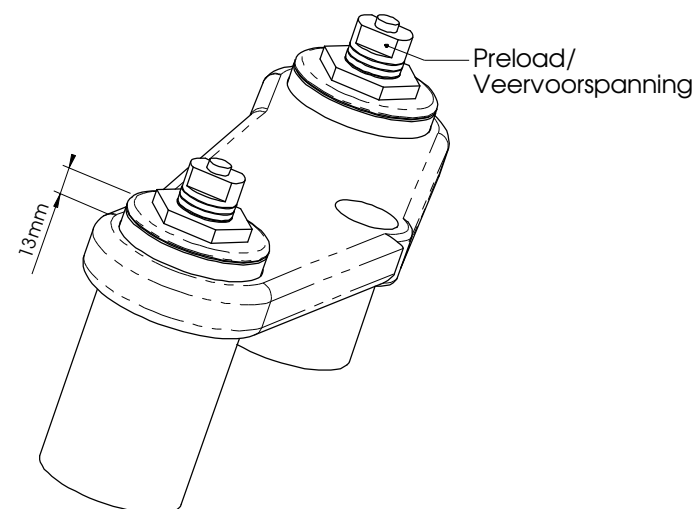
FRONT

Mount the fork legs max 13mm through the triple clamp. Turn the preload adjuster to minimum preload (counter clockwise). Reduce the air chamber if the fork hits the end of its stroke.

REAR

Replace the original pull rods with the HYPERPRO lowering pull rods. Put the stroke limiter underneath the bump rubber of the rear shock. Put some pressure on the rear wheel before tightening the link.

WARNING! SHORTEN THE SIDE-STAND ± 20 mm. AFTERMARKET REAR MUDGUARDS CAN NO LONGER BEEN USED.



See WWW.HYPERPRO.COM for more info about our products.