

HYPERPRO

LOWERING KIT / VERLAGINGSSET

for

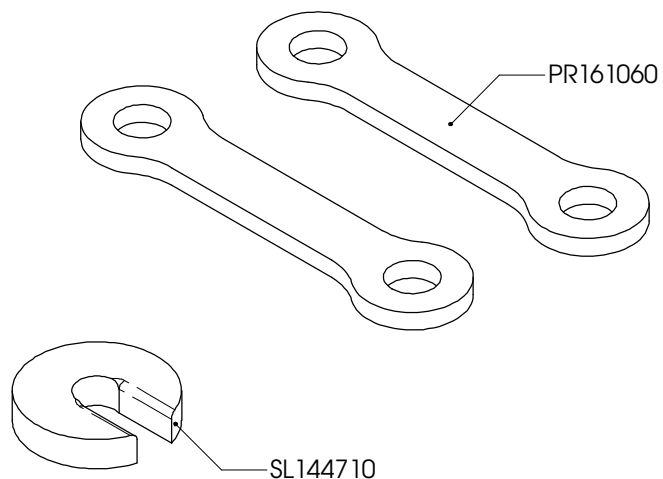
YAMAHA XT660R

Models '04>

LK-YA06-008-50 PART LIST

PR161060 - Pull rod/ trekstang	2
SL144710 - Stroke limiter/ slagbeperker	1
-	-
-	-

ALL IDEAS, DESIGNS, ARRANGEMENTS AND PLANS INDICATED OR REPRESENTED BY THIS DRAWING ARE OWNED BY HYPERPRO AND WERE CREATED, EVOLVED AND DEVELOPED FOR USE ON AND IN CONNECTION WITH THE SPECIFIC PROJECT. NONE SUCH IDEAS, DESIGNS, ARRANGEMENTS OR PLANS SHALL BE USED BY OR DISCLOSED TO ANY PERSON, FIRM OR CORPORATION FOR ANY PURPOSE WHATSOEVER WITHOUT THE WRITTEN PERMISSION OF HYPERPRO.



Inbouw handleiding

VOORZIJDE

De vorkpoten maximaal 25 mm door de bovenste kroonplaat heen steken.

ACHTERZIJDE

De bestaande trekstangen vervangen door de HYPERPRO trekstangen.
De slagbeperker boven op het aanslagrubber van de achterschokbreker plaatsen.
Het achterwiel eerst belasten voordat de link vastgezet wordt.

LET OP! DE LENGTE VAN DE ZIJSTANDAARD MOET 30-35mm INGEKORT WORDEN.
AFTERMARKET ACHTERSPATBORDEN KUNNEN NIET MEER WORDEN TOEGEPAST.

Instruction manual

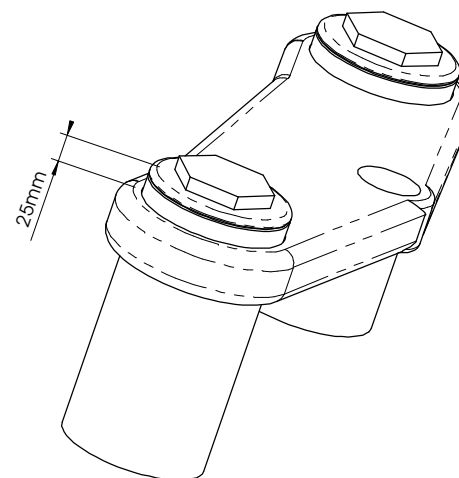
FRONT

Mount the fork legs max 25mm through the triple clamp.

REAR

Replace the original pull rods with the HYPERPRO lowering pull rods.
Put the stroke limiter on top of the bump rubber of the rear shock.
Put some pressure on the rear wheel before tightening the link.

WARNING! SHORTEN THE SIDE-STAND 30-35mm.
AFTERMARKET MUDGUARDS CAN NO LONGER BE USED.



See WWW.HYPERPRO.COM for more info about our products.