

HYPERPRO

LOWERING KIT / VERLAGINGSSET

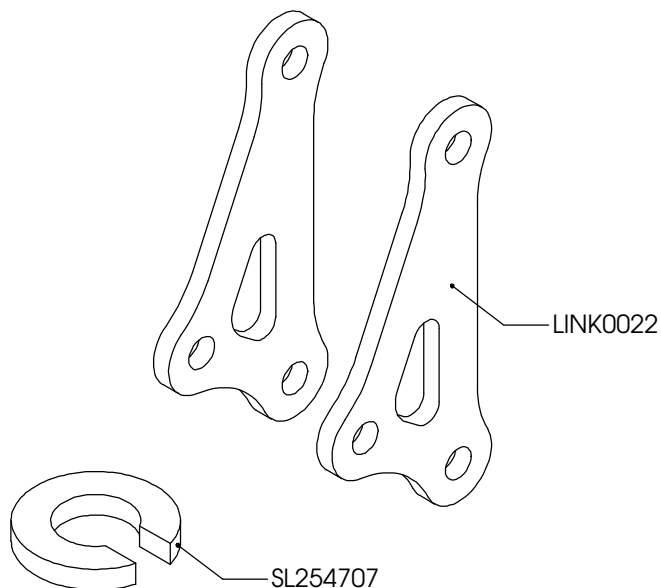
for

TRIUMPH Tiger 1050 Models '07> (115 NG)

LK-TR10-002-40 PART LIST

LINK0022 - Lowering link/ verlagingslink	2
SL254707 - Stroke limiter/ slagbeperker	1
-	-
-	-

ALL IDEAS, DESIGNS, ARRANGEMENTS AND PLANS INDICATED OR REPRESENTED BY THIS DRAWING ARE OWNED BY HYPERPRO AND WERE CREATED, EVOLVED AND DEVELOPED FOR USE ON AND IN CONNECTION WITH THE SPECIFIC PROJECT. NONE SUCH IDEAS, DESIGNS, ARRANGEMENTS OR PLANS SHALL BE USED BY OR DISCLOSED TO ANY PERSON, FIRM OR CORPORATION FOR ANY PURPOSE WHATSOEVER WITHOUT THE WRITTEN PERMISSION OF HYPERPRO.



Inbouw handleiding

VOORZIJDE

De vorkpoten maximaal 18mm door de bovenste kroonplaat heen steken.

ACHTERZIJDE

De bestaande links vervangen door de HYPERPRO verlagingslinks.

De pijl moet bovenaan en in de rijrichting wijzen.

De slagbeperker onder het aanslagrubber van de schokbreker plaatsen.

Het achterwiel eerst belasten voordat de link vastgezet word.

LET OP! DE LENGTE VAN DE ZIJSTANDAARD MOET ca.15mm INGEKORT WORDEN.
DE MIDDENBOK DEMONTEREN VOOR DE VEILIGHEID.

Instruction manual

FRONT

Mount the fork legs max 18mm through the triple clamp.

REAR

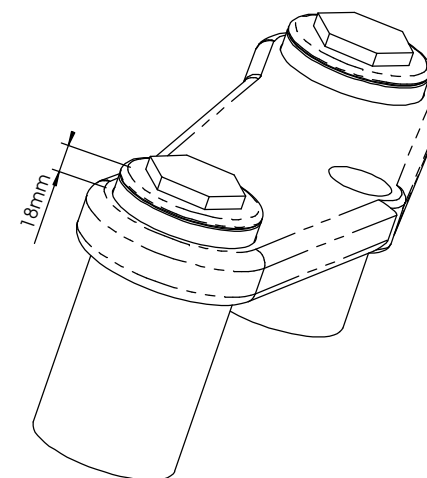
Replace the original link by the HYPERPRO lowering link.

Make sure the arrow is above and pointing in the riding direction.

Put the stroke limiter underneath the bump rubber of the shock.

Put some pressure on the rear wheel before tightening the link.

WARNING! SHORTEN THE SIDE-STAND BY ABOUT 15mm.
REMOVE THE CENTERSTAND FOR SAFETY.



See WWW.HYPERPRO.COM for more info about our products.