

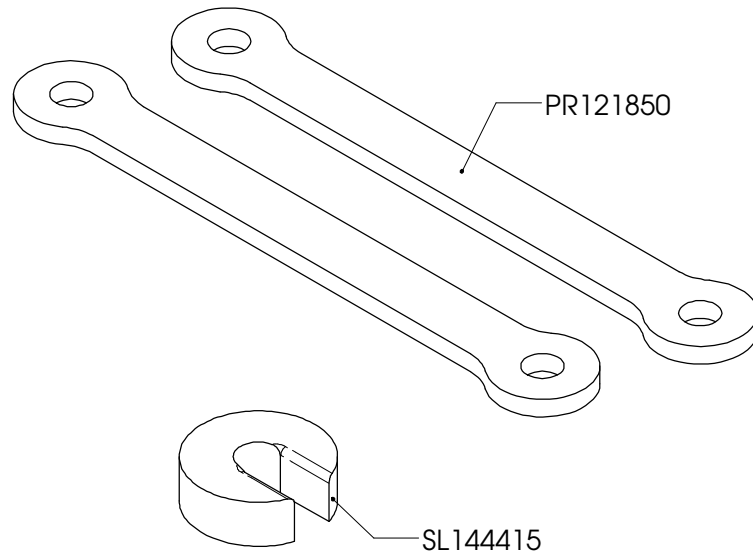
HYPERPRO

LOWERING KIT / VERLAGINGSSET for SUZUKI GSF 600 BANDIT Models '00-'04

LK-SU06-003-50 PART LIST

PR121850 - Pull rod/ trekstang	2
SL144415 - Stroke limiter/ slagbeperker	1
-	-
-	-

ALL IDEAS, DESIGNS, ARRANGEMENTS AND PLANS INDICATED OR REPRESENTED BY THIS DRAWING ARE OWNED BY HYPERPRO AND WERE CREATED, EVOLVED AND DEVELOPED FOR USE ON AND IN CONNECTION WITH THE SPECIFIC PROJECT. NONE SUCH IDEAS, DESIGNS, ARRANGEMENTS OR PLANS SHALL BE USED BY OR DISCLOSED TO ANY PERSON, FIRM OR CORPORATION FOR ANY PURPOSE WHATSOEVER WITHOUT THE WRITTEN PERMISSION OF HYPERPRO.



Inbouw handleiding

ALLEEN VOOR 1 PERSOONSGEBRUIK

Voor 2 persoonsgebruik adviseren wij maximaal 30mm te verlagen: LK-SU06-002-30

VOORZIJDJE

De vorkpoten maximaal 20mm door de bovenste kroonplaat heen steken.

ACHTERZIJDJE

De bestaande trekstangen vervangen door de HYPERPRO trekstangen.
De slagbeperker boven op het aanslagrubber van de schokbreker plaatsen.
Het achterwiel eerst belasten voordat de link vastgezet word.

LET OP! DE LENGTE VAN DE ZIJSTANDAARD MOET 35-40mm INGEKORT WORDEN.
AFTERMARKET ACHTERSPATBORDEN KUNNEN NIET MEER WORDEN TOEGEPAST.

Instruction manual

ONLY FOR 1 PERSON RIDING

for riding with a passenger we advise lowering the bike by max 30mm: LK-SU06-002-30

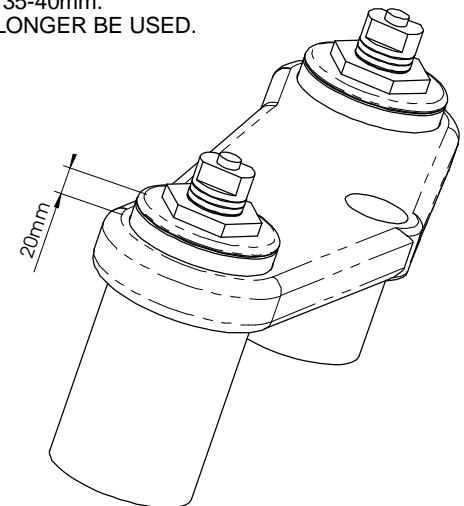
FRONT

Mount the fork legs max 20mm through the triple clamp.

REAR

Replace the original pull rods with the HYPERPRO lowering pull rods.
Put the stroke limiter on top of the bump rubber of the shock.
Put some pressure on the rear wheel before tightening the link.

WARNING! SHORTEN THE SIDE-STAND 35-40mm.
AFTERMARKET MUDGUARDS CAN NO LONGER BE USED.



See WWW.HYPERPRO.COM for more info about our products.