

HYPERPRO

LOWERING KIT / VERLAGINGSSET

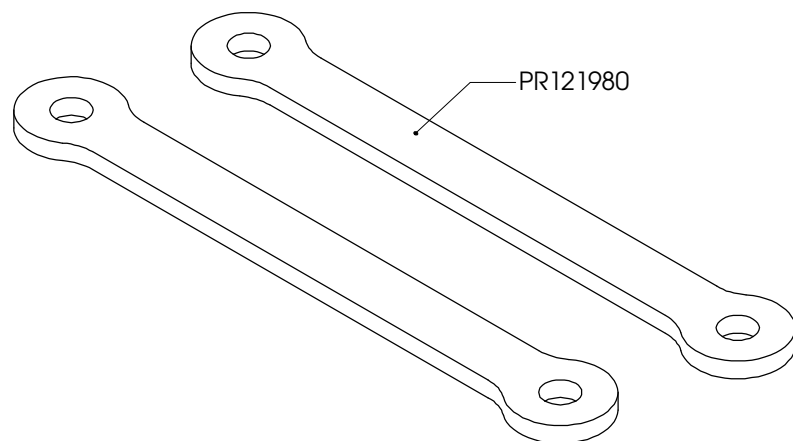
for

KAWASAKI ZX6-R NINJA Models '00-'02

LK-KA06-004-55 PART LIST

PR121980 - Pull rods/ trekstangen	2
-	-
-	-
-	-

ALL IDEAS, DESIGNS, ARRANGEMENTS AND PLANS INDICATED OR REPRESENTED BY THIS DRAWING ARE OWNED BY HYPERPRO AND WERE CREATED, EVOLVED AND DEVELOPED FOR USE ON AND IN CONNECTION WITH THE SPECIFIC PROJECT. NONE SUCH IDEAS, DESIGNS, ARRANGEMENTS OR PLANS SHALL BE USED BY OR DISCLOSED TO ANY PERSON, FIRM OR CORPORATION FOR ANY PURPOSE WHATSOEVER WITHOUT THE WRITTEN PERMISSION OF HYPERPRO.



Inbouw handleiding

VOORZIJDE

De vorkpoten maximaal 10 mm door de bovenste kroonplaat heen steken. De veer-voorspanning minimaal zetten (tegen de klok in draaien).
De luchtkamer reduceren als de vork will doorslaan.

ACHTERZIJDE

De bestaande link vervangen door de HYPERPRO verlagingslink.
Het achterwiel eerst belasten voordat de link vastgezet word.

LET OP! DE LENGTE VAN DE ZIJSTANDAARD MOET 40-45mm INGEKORT WORDEN.
AFTERMARKET SPATBORDEN KUNNEN NIET MEER TOEGEPAST WORDEN.

Instruction manual

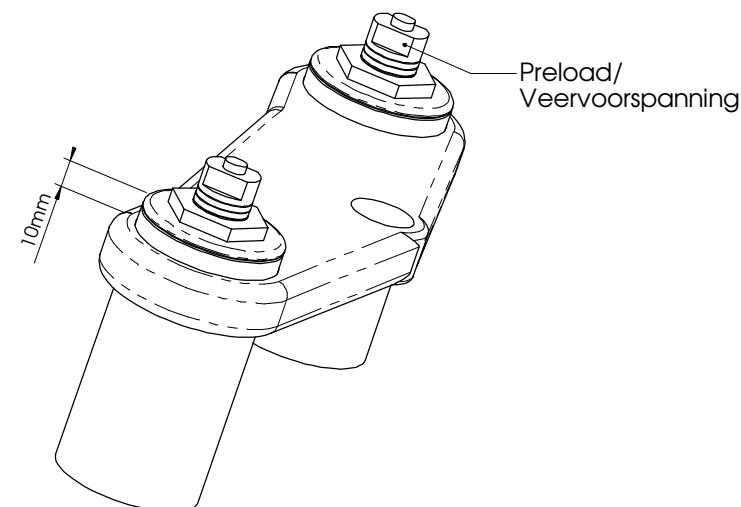
FRONT

Mount the fork legs max 10mm through the triple clamp. Turn the preload adjuster to minimum preload (counter clockwise).
Reduce the air chamber in the fork if necessary.

REAR

Replace the original link by the HYPERPRO lowering link.
Put some pressure on the rear wheel before tightening the link.

WARNING! SHORTEN THE SIDE-STAND 40-45mm.
AFTERMARKET MUDGUARDS CAN NO LONGER BE USED.



See WWW.HYPERPRO.COM for more info about our products.