

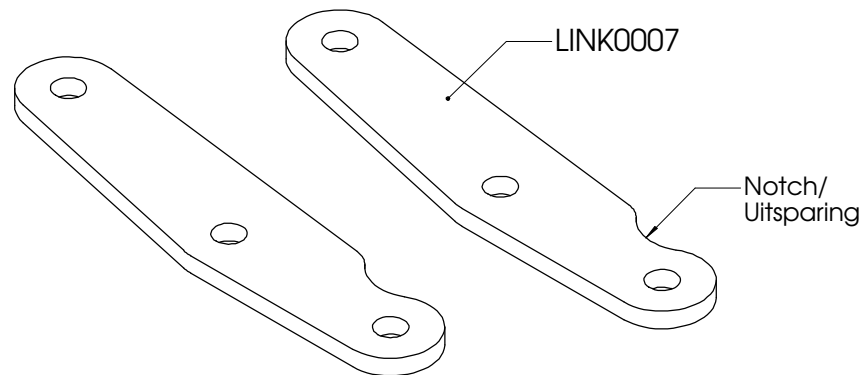
# HYPERPRO

## LOWERING KIT / VERLAGINGSSET for HONDA CBR 600 F Models '99-'04

### LK-HO06-003-40 PART LIST

LINK0007	2
-	-
-	-
-	-

ALL IDEAS, DESIGNS, ARRANGEMENTS AND PLANS INDICATED OR REPRESENTED BY THIS DRAWING ARE OWNED BY HYPERPRO AND WERE CREATED, EVOLVED AND DEVELOPED FOR USE ON AND IN CONNECTION WITH THE SPECIFIC PROJECT. NONE SUCH IDEAS, DESIGNS, ARRANGEMENTS OR PLANS SHALL BE USED BY OR DISCLOSED TO ANY PERSON, FIRM OR CORPORATION FOR ANY PURPOSE WHATSOEVER WITHOUT THE WRITTEN PERMISSION OF HYPERPRO.



### Inbouw handleiding

#### VOORZIJDE

De vorkpoten maximaal 10 mm door de bovenste kroonplaat heen steken. De veer-voorspanning minimaal zetten (tegen de klok in draaien).

#### ACHTERZIJDE

De bestaande link vervangen door de HYPERPRO verlagingslink. Let er hierbij op dat de uitsparing van de link bij de demping verstelling zit. Het achterwiel eerst belasten voordat de link vastgezet word.

LET OP! DE LENGTE VAN DE ZIJSTANDAARD MOET 25-30mm INGEKORT WORDEN.

### Instruction manual

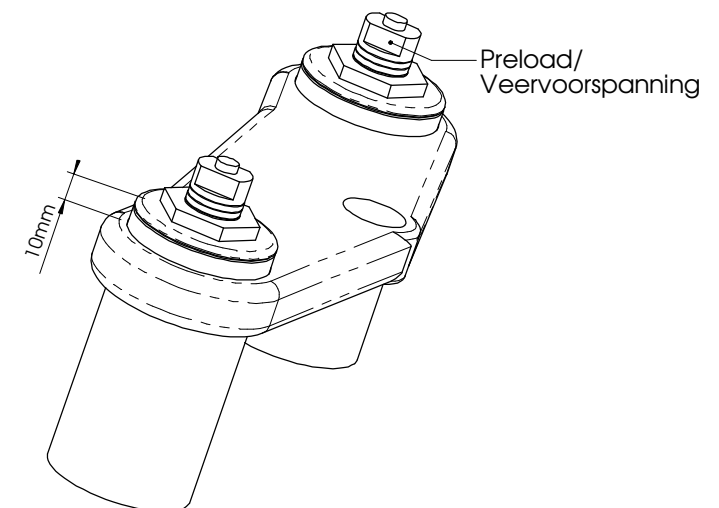
#### FRONT

Mount the fork legs max 10mm through the triple clamp. Turn the preload adjuster to minimum preload ( counter clockwise).

#### REAR

Replace the original link by the HYPERPRO lowering link. Make sure that the notch from the link is in front of the damping adjustment. Put some pressure on the rear wheel before tightening the link.

WARNING! SHORTEN THE SIDE-STAND 25-30mm.



See [WWW.HYPERPRO.COM](http://WWW.HYPERPRO.COM) for more info about our products.