

HYPERPRO

TAIL RAISER KIT / VERHOOGINGSSET

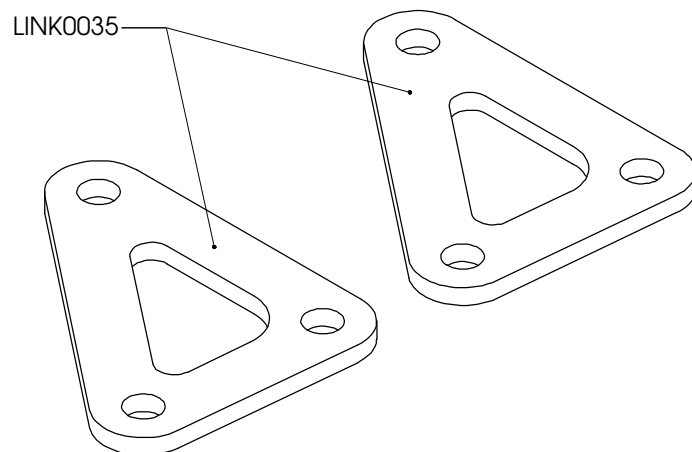
for

YAMAHA R6 (RJ 03)
Models '98-'02<

HK-YA06-003-20 PART LIST

LINK0035 - Lowering link/ verlagingslink	2
-	-
-	-
-	-

ALL IDEAS, DESIGNS, ARRANGEMENTS AND PLANS INDICATED OR REPRESENTED BY THIS DRAWING ARE OWNED BY HYPERPRO AND WERE CREATED, EVOLVED AND DEVELOPED FOR USE ON AND IN CONNECTION WITH THE SPECIFIC PROJECT. NONE SUCH IDEAS, DESIGNS, ARRANGEMENTS OR PLANS SHALL BE USED BY OR DISCLOSED TO ANY PERSON, FIRM OR CORPORATION FOR ANY PURPOSE WHATSOEVER WITHOUT THE WRITTEN PERMISSION OF HYPERPRO.



Inbouw handleiding

De bestaande links vervangen door de HYPERPRO verlagingslinks. Zorg dat de pijlen zich bovenaan bevinden en in de rijrichting wijzen.
Het achterwiel eerst belasten voordat de link vastgezet wordt.

Instruction manual

Replace the original links with the HYPERPRO lowering links. Make sure the arrows are on top and pointing in the riding direction.
Put some pressure on the rear wheel before tightening the link.

See WWW.HYPERPRO.COM for more info about our products.