

HYPERPRO

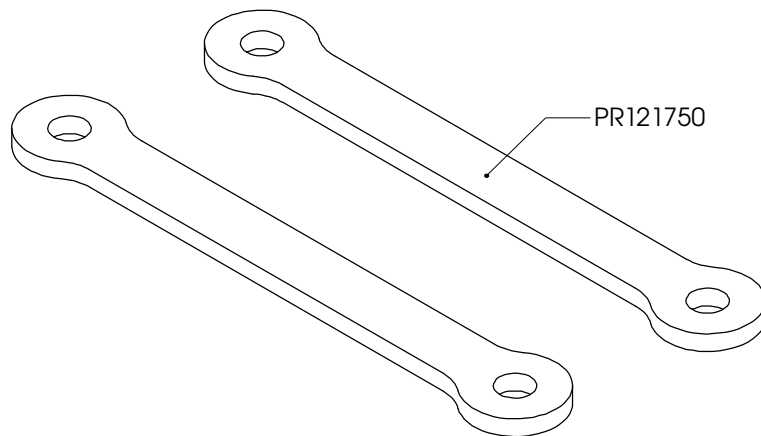
TAIL RAISER KIT / VERHOOGINGSSET for

SUZUKI GSF 1250 Bandit Models '07-> (WVCH)

HK-SU12-003-35 PART LIST

PR121750 - Pull rod/ trekstang	2
-	-
-	-
-	-

ALL IDEAS, DESIGNS, ARRANGEMENTS AND PLANS INDICATED OR REPRESENTED BY THIS DRAWING ARE OWNED BY HYPERPRO AND WERE CREATED, EVOLVED AND DEVELOPED FOR USE ON AND IN CONNECTION WITH THE SPECIFIC PROJECT. NONE SUCH IDEAS, DESIGNS, ARRANGEMENTS OR PLANS SHALL BE USED BY OR DISCLOSED TO ANY PERSON, FIRM OR CORPORATION FOR ANY PURPOSE WHATSOEVER WITHOUT THE WRITTEN PERMISSION OF HYPERPRO.



Inbouw handleiding

De bestaande trekstangen vervangen door de HYPERPRO trekstangen.
Het achterwiel eerst belasten voordat de link vastgezet word.

Instruction manual

Replace the original pull rods with the HYPERPRO lowering pull rods.
Put some pressure on the rear wheel before tightening the link.