

# HYPERPRO

## TAIL RAISER KIT / VERHOOGINGSSET

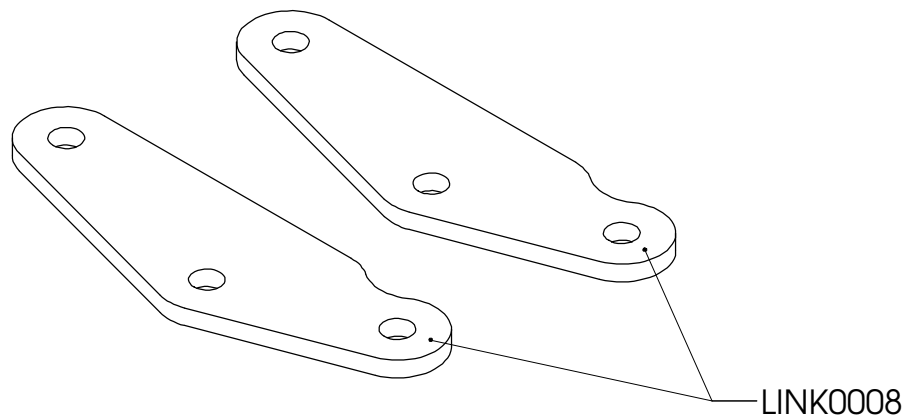
for

### HONDA CBR 600 F Models '99>

#### HK-H006-001-25 PART LIST

LINK0008	2
-	-
-	-
-	-

ALL IDEAS, DESIGNS, ARRANGEMENTS AND PLANS INDICATED OR REPRESENTED BY THIS DRAWING ARE OWNED BY HYPERPRO AND WERE CREATED, EVOLVED AND DEVELOPED FOR USE ON AND IN CONNECTION WITH THE SPECIFIC PROJECT. NONE SUCH IDEAS, DESIGNS, ARRANGEMENTS OR PLANS SHALL BE USED BY OR DISCLOSED TO ANY PERSON, FIRM OR CORPORATION FOR ANY PURPOSE WHATSOEVER WITHOUT THE WRITTEN PERMISSION OF HYPERPRO.



#### **Inbouw handleiding**

De bestaande link vervangen door de HYPERPRO verlagingslink, met de pijl bovenaan in de rijrichting. Het achterwiel eerst belasten voordat de link vastgezet word.

#### **Instruction manual**

Replace the original link by the HYPERPRO lowering link, with the arrow on the upper side, pointing in the riding direction. Put some pressure on the rear wheel before tightening the link.